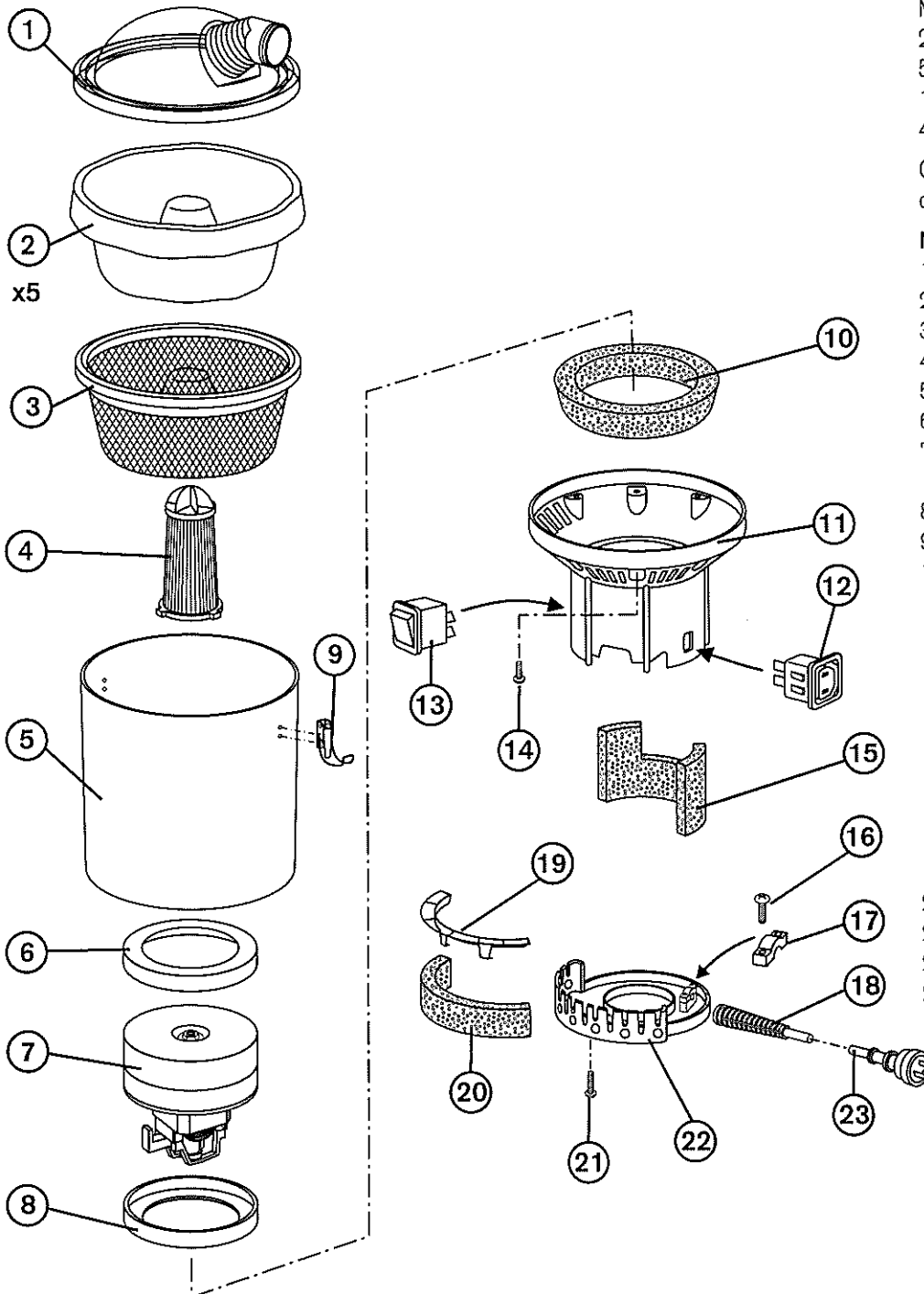


8. Parts Profile - *Superpro 700*

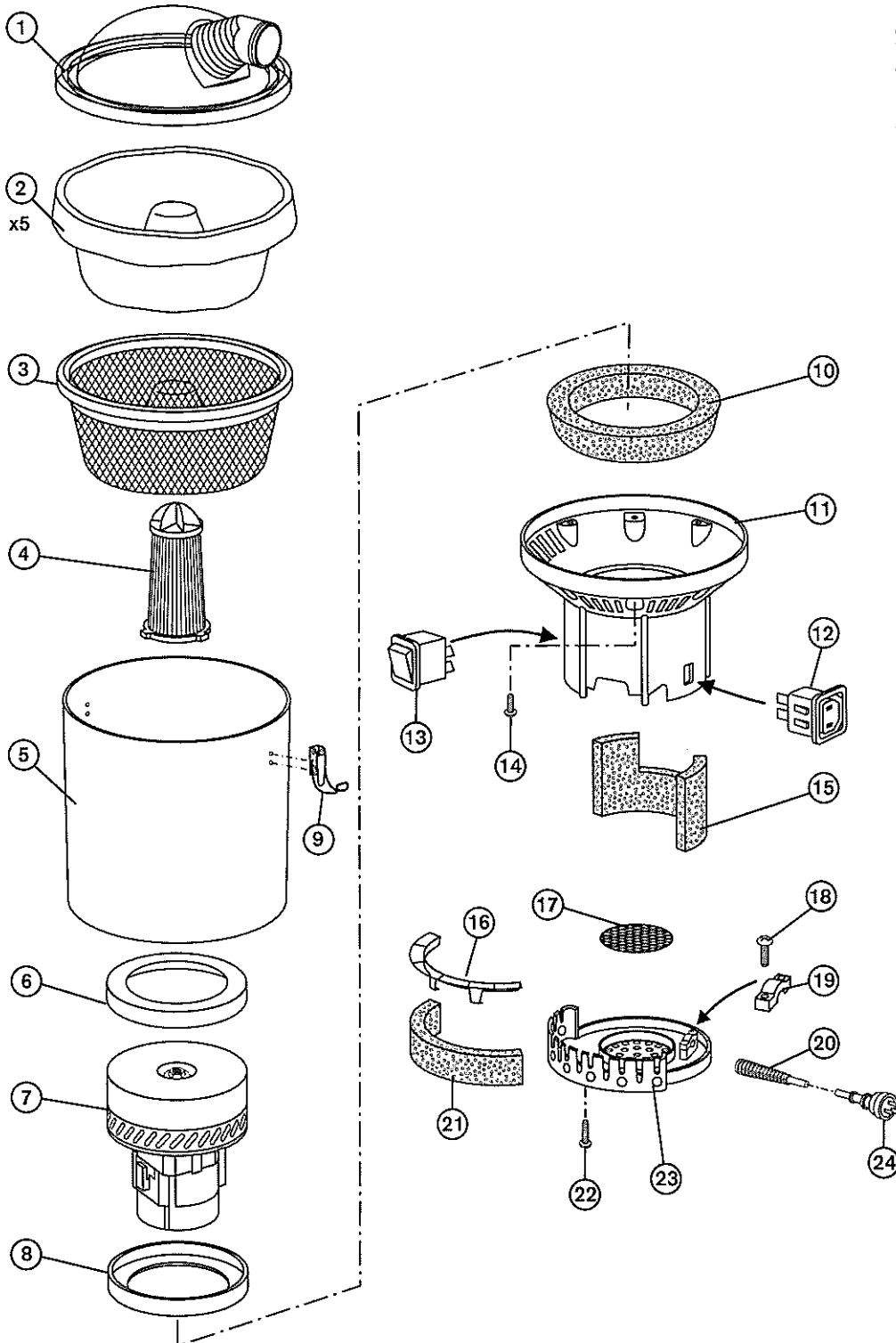


Hypercone™ Air Flow System
 Motor Type: 2 Stage Flow Thru
 220-240 volts
 50 Hertz
 1000 Watts + 200 Watts Outlet
 4-5 Amps

Quote these part numbers when ordering spare parts

No.	Part Name	Part No.
1.	Top dome lid	KC251
2.	Hypercone paper bag	AF101
3.	Dust bag	KC502HC
4.	Hypercone hepa filter	KC270
5.	Main vacuum canister	KC252
6.	Motor gasket	KC253
7.	1000w Motor flow thru (240v)	UP118
8.	Motor gasket	KC253
9.	Toggle latch	KC131
10.	Intermediate noise insulation	PV254
11.	Intermediate housing	KC256
12.	Power outlet	KC257
13.	Switch	VS261
14.	Screw 5x20 (plastite)	PV298
15.	Noise insulation (motor)	PV255
16.	Screw 3x12 (plastite)	PV299
17.	Cable clamp	KC262
18.	Mains cable lead (short)	KC109SLM
19.	Motor filter cage	KC264
20.	External motor filter	PV259
21.	Screw 6x25	
22.	Bottom cap	KC258
23.	Extension lead	KC111/18
	Mains cable lead:	
	AU, NZ, ZA	KC111/18
	UK, SG, IN, AE	UP108JC/UK
	US, JP	UP109USA

9. Parts Profile - *Superpro duo700*

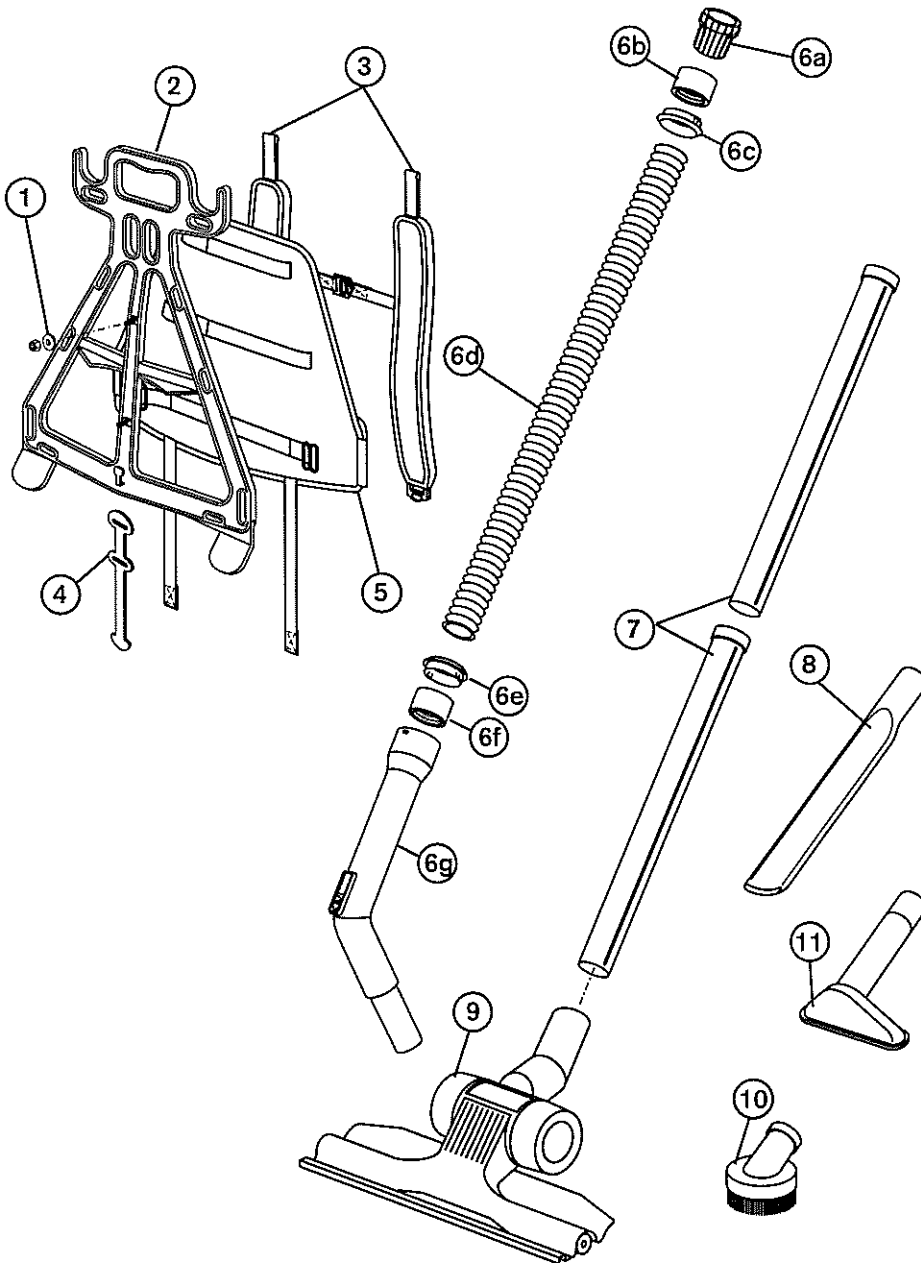


Hypercone™ Air Flow System
 Motor Type: 2 Stage By Pass
 220-240 volts
 50 Hertz
 1000 Watts + 200 Watts Outlet
 4-5 Amps

Quote these part numbers when ordering spare parts

No.	Part Name	Part No.
1.	Top dome lid	KC251
2.	Hypercone paper bag	AF101
3.	Dust bag	KC502HC
4.	Hypercone Activeair filter cartridge	KC270
5.	Main vacuum canister	KC252
6.	Motor gasket	KC253
7.	1000w Motor bypass (240v)	HV1208
8.	Motor gasket	KC253
9.	Toggle latch	KC131
10.	Intermediate noise insulation	PV254
11.	Intermediate motor housing	KC256
12.	Power outlet	KC257
13.	Switch	KC261
14.	Screw 5x20 (plastite)	PV298
15.	Noise insulation (motor)	PV255
16.	Motor filter cage	KC264
17.	Mesh	PV258SPM
18.	Screw 3x12 (plastite)	PV299
19.	Cable clamp	KC262
20.	Mains cable lead (short)	KC109SLM
21.	External motor filter	PV259
22.	Screw 6x25	
23.	Bottom cap	KC258SP
24.	Extension lead	KC111/18

12. Superpro Harness and Accessories



No.	Part Name	Part No.
1.	Bolt 5x20 Nut 5mm nyloc Washers 3/16 x3/4 & 3/16 x7/16	
2.	Frame	KC120
3.	Shoulder strap	KC121
4.	Cord restraint	KC268
5.	Back support, Padding and waist straps	KC263
6.	Vacuum hose complete PV/32 KC	
6a.	Machine end connector	KC200
6b.	Hose cuff hull	UA914
6c.	Hose clip ring	UA915
6d.	Vacuum hose	UA947
6e.	Hose clip ring	UA915
6f.	Hose cuff hull	UA914
6g.	Bent hand piece	UA913
7.	Two piece wand	KC909/2
8.	Crevice tool	KC911
9.	Gulper floor tool	UA908W
10.	Dusting brush	KC910
11.	Upholstery tool	KC912